



A Division of Thiessen Products, Inc.

INSTRUCTION SHEET FOR TOOL #1077

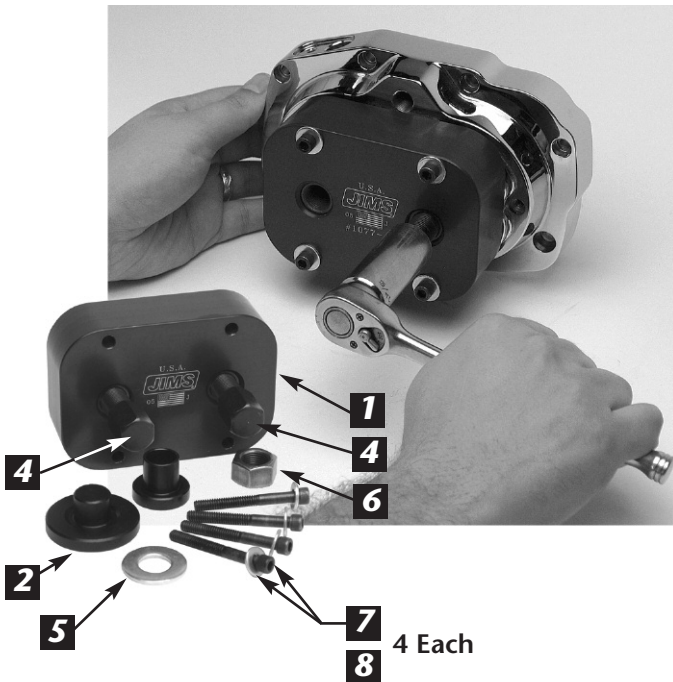
FAT5 5-SPEED TRANSMISSION TRAP DOOR BEARING REMOVER AND INSTALLER

USE ON JIMS FAT 5 SPEED OVERDRIVE TRANSMISSIONS

THIS TOOL WILL ALSO REMOVE THE TRAP DOOR FROM THE TRANSMISSION WHILE LEAVING THE SHAFTS AND GEARS IN THE CASE.

Note: The use of this tool requires the trap door bearings to be replaced. Refer to JIMS instruction sheet 8273-IS for FAT 5 replacement part numbers.

- 1. Refer to JIMS Instruction Sheet No. 8273-IS for repair of Fat 5 Transmission.**
 - 2. Drain all oil from trans case.**
- Refer to JIMS instruction Sheet 8273-IS for more info.**



JIMS® IS NOT RESPONSIBLE FOR THE QUALITY AND SAFETY OF YOUR WORK!

If you are not sure about any of the procedures in these instructions, have a reputable H-D® repair shop perform these procedures for you. **WARNING:** Always disconnect the Battery Ground Cable (at the battery) to prevent injury. Your work area should be well lit. Wear safety glasses (over your eyes) and protective clothing when working around power tools and compressed air. Be careful with chemicals when cleaning parts. Protect your skin from solvents and use only in a well-ventilated area. Degreasers are flammable and are a fire hazard. Just use common sense and exercise good judgement.

READ ALL INSTRUCTIONS BEFORE PERFORMING WORK! IF YOU DO NOT KNOW WHAT YOU ARE DOING, DO NOT DO IT!

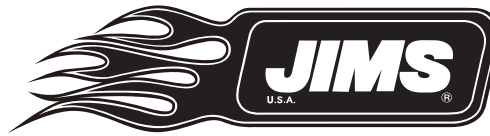
No information in this instruction sheet pertaining to motorcycle repair is represented as fool-proof or even altogether safe. Some people can ruin a mechanic's vise with a tack hammer. Even something safe, done incorrectly or incompletely can and will backfire. You are responsible for the safety of your work and knowledge of the tools, repair equipment, components, methods and concepts needed to complete these tasks. You must carefully and systematically perform each and every step safely. All information listed in this instruction sheet has been tested, re-tested and used daily in JIMS Research and Development Department.

To remove trapdoor from trans case:

1. Remove all screws that retain the trap door to the trans case, nuts from the end of the shafts and retaining rings that hold the bearings in place as described in instruction sheet No.8273-IS.
2. Remove the top cover, shift drum, shift fork shaft and 1-2 gear shift fork as described in instruction sheet No. 8273-IS.
3. Lube the (4) supplied mounting screws #7 with washers #8 and attach base plate #1 onto trap door using the screws so that the center through holes on base plate align with the trap door bearings.
4. Lube screw #4 and thread it into hole over one of the two shafts. Lube second screw #4 and thread it into hole over opposite shaft.
5. Turn each screw 1 turn at a time until the trap door is pulled free from the trans case.

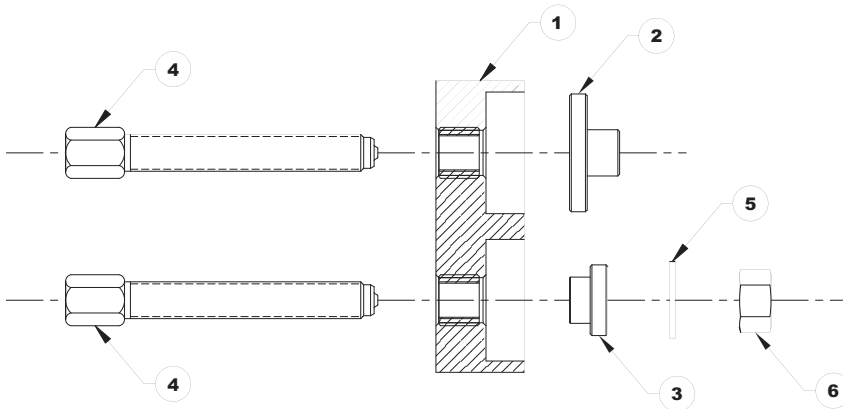
CAUTION: WEAR SAFETY GLASSES. EXCESSIVE FORCE MAY DAMAGE PARTS!
SEE JIMS® CATALOG FOR HUNDREDS OF TOP QUALITY PROFESSIONAL TOOLS.
THE LAST TOOLS YOU WILL EVER NEED TO BUY.

Performance Parts For Harley-Davidson® Motorcycles



A Division of Thiessen Products, Inc.

INSTRUCTION SHEET FOR TOOL #1077



PARTS AVAILABLE SEPARATELY

No.	Qty.	Description	Part No.
1	1	BASE, BEARING R/I, TRAPDOOR, FAT 5	1077-4
2	2	INSTALLER PILOT, BEARING, TRAPDOOR, FAT 5	1077-2
3	2	REMOVER PILOT, BEARING, TRAPDOOR, FAT 5	1077-3
4	2	SCREW	1024
5	2	FLAT WASHER, 5/8	2020
6	2	5/8-18 NUT	2000
7	4	1/4" SAE FLAT WASHER	1683
8	4	1/4-20 x 2-1/4" SCHS	1212
9	1	INSTRUCTION SHEET	1077-IS

To Remove Bearings:

1. With trap door removed from case and base plate #1 still attached to trap door; Place removing pilot No. 1077-3 into bearing on the trans side of trap door and thread screw #4 in farther until it is all the way through the removing pilot.
Note: The trap door bearing retaining rings must be removed from the trap door before trying to remove the bearings or damage will occur to the trap door.
2. Slide flat washer #5 onto screw #4 followed by threading nut #6 onto screw until the nut is flush with the bottom of screw.
3. Turn screw #4 counter-clockwise until the bearing is pulled free of the trap door.
4. Repeat steps 1 – 3 on the opposite bearing using second set of parts provided.
5. Remove base, remove both sets of nuts, washers and removing pilots from trap door.

To Install Bearings:

Be sure to install new bearings using a good quality trans lube.

1. Place 2 new lubed trap door bearings, JIMS No. 8992A lettered side up over the bearing bores of trap door.
2. Place an installing pilot #2 onto lettered side of each bearing.
3. Attach base plate #1 onto trap door using the (4) supplied lubed mounting screws #8 and washers #7, so that the counter bores align with the trap door bearings.
4. Thread screw #4 clockwise into base plate over the bearing to be pushed in until the bearing gently bottoms out in trap door.
5. Repeat step 4 for opposite bearing.
6. Remove tool and install new trap door bearing retaining rings, JIMS No. 35087-99 to retain the bearings.
7. Re-assemble transmission as described in the Fat 5 instruction sheet No. 8273-IS.

CAUTION: WEAR SAFETY GLASSES. EXCESSIVE FORCE MAY DAMAGE PARTS!
SEE JIMS® CATALOG FOR HUNDREDS OF TOP QUALITY PROFESSIONAL TOOLS.
THE LAST TOOLS YOU WILL EVER NEED TO BUY.

Performance Parts For Harley-Davidson® Motorcycles