



A Division of Thiessen Products, Inc.

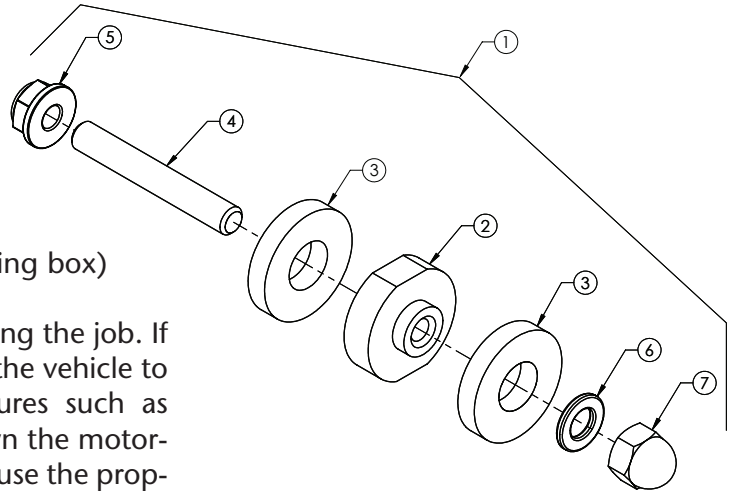
INSTRUCTION SHEET FOR ISOLATOR MOUNT No. 5464

JIMS No. 5464 Isolator Mount is a heavy duty vibration isolator designed to replace No. 5419 isolator mount on JIMS Forceflow Cylinder Head Cooler.

Recommended Tools

- Ratchet Wrench with 4" extension
- Torque Wrench
- Blue Loctite
- 1/2" and 7/16" Socket
- 7/16" Combination Wrench (preferably a ratcheting box)

Note: Read this entire instruction sheet before starting the job. If you are not sure of the processes or methods, take the vehicle to an authorized repair shop. Follow safety procedures such as wearing eye protection or a full face shield. Tie down the motorcycle so that it cannot and will not fall over. Always use the proper tool for the job. Follow the service manual for the year and model motorcycle you are working on. JIMS is not responsible for your safety or the quality of your work. Test ride the motorcycle before going out onto public roadways.



PARTS AVAILABLE SEPARATELY

NO.	QTY.	DESCRIPTION	PART NO.
1	1	ISOLATOR ASSEMBLY	5464
2	1	SHAFT, VIBRATION ISOLATOR, MACHINED	5464-1
3	2	RUBBER WASHER	5465
4	1	STUD, 1/4-20 X 1-1/2"	5466
5	1	NUT, 1/4-20 FLANGE NYLOX	5263
6	1	WASHER, FLAT, 1/4", AN	5437
7	1	NUT, ACORN, 1/4-20, NICKEL PLATED	5438
8	1	INSTRUCTION SHEET	5464-IS

Replacing Isolator Mount

1. Remove the lower mounting nut on No. 5419 isolator to be replaced using a 7/16" socket and ratchet.
2. Remove the remaining nut from the rear of isolator and remove isolator by gently pulling outward on the Forceflow backing plate while removing.
3. Check backing plate alignment between the lower mounting hole and the lower mount bracket hole visually. The two holes should be in alignment when the backplate is hanging by only the (still tight) top mount. If not, adjust alignment by loosening and retightening the top nut. The whole backplate assembly has a tendency to rotate when tightening this nut, so you may have to clock the angle back so that it rotates into the correct position when finally tightened to 7-9 ft/lbs. If you need to do this, use blue Loctite on the nut.
4. Install the new No. 5464 isolator in between the aligned backing plate and mounting bracket with both No. 5465 rubber washers in place. Add blue Loctite to both threaded ends of the isolator before installation.
5. Install Nylox nut No. 5263 on the back of the isolator and snug up just to nylon collar, but do not tighten yet.
6. Install No. 5437 washer, then No. 5438 acorn nut on outer isolator. Tighten the acorn nut using a 7/16" socket.
7. Tighten rear nut, then back off 1/4 turn. Then, back the outer acorn nut off 1/4 turn.
8. If you need any technical information regarding the Forceflow installation, see Instruction Sheet No. 5400-is on www.jimsusa.com or call Sales at (805) 482-6913 for assistance.

Performance Parts For Harley-Davidson Motorcycles

555 DAWSON DRIVE, CAMARILLO, CA 93012 PHONE 805-482-6913 • FAX 805-482-9224
VISIT US ON THE WEB AT WWW.JIMSUSA.COM